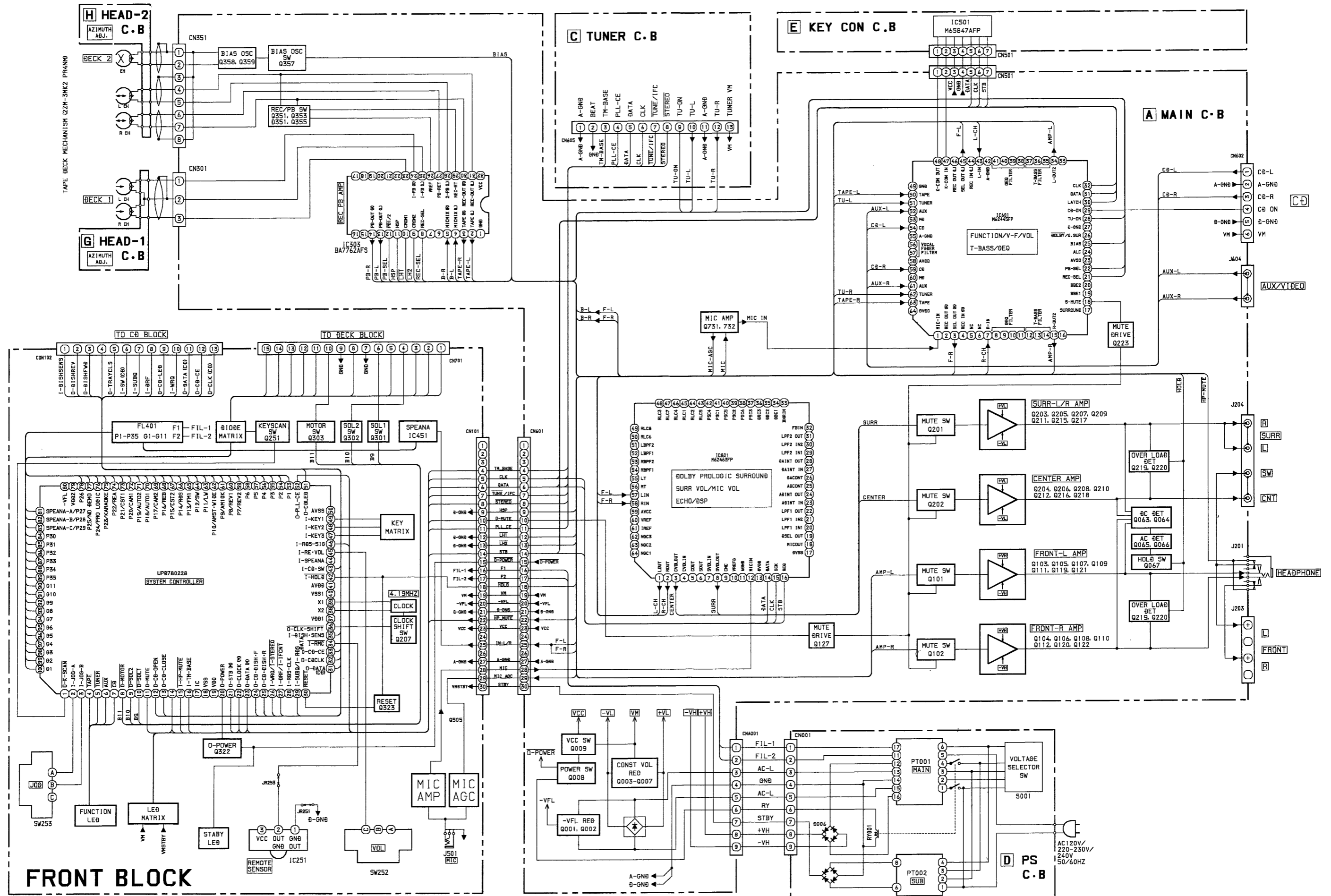
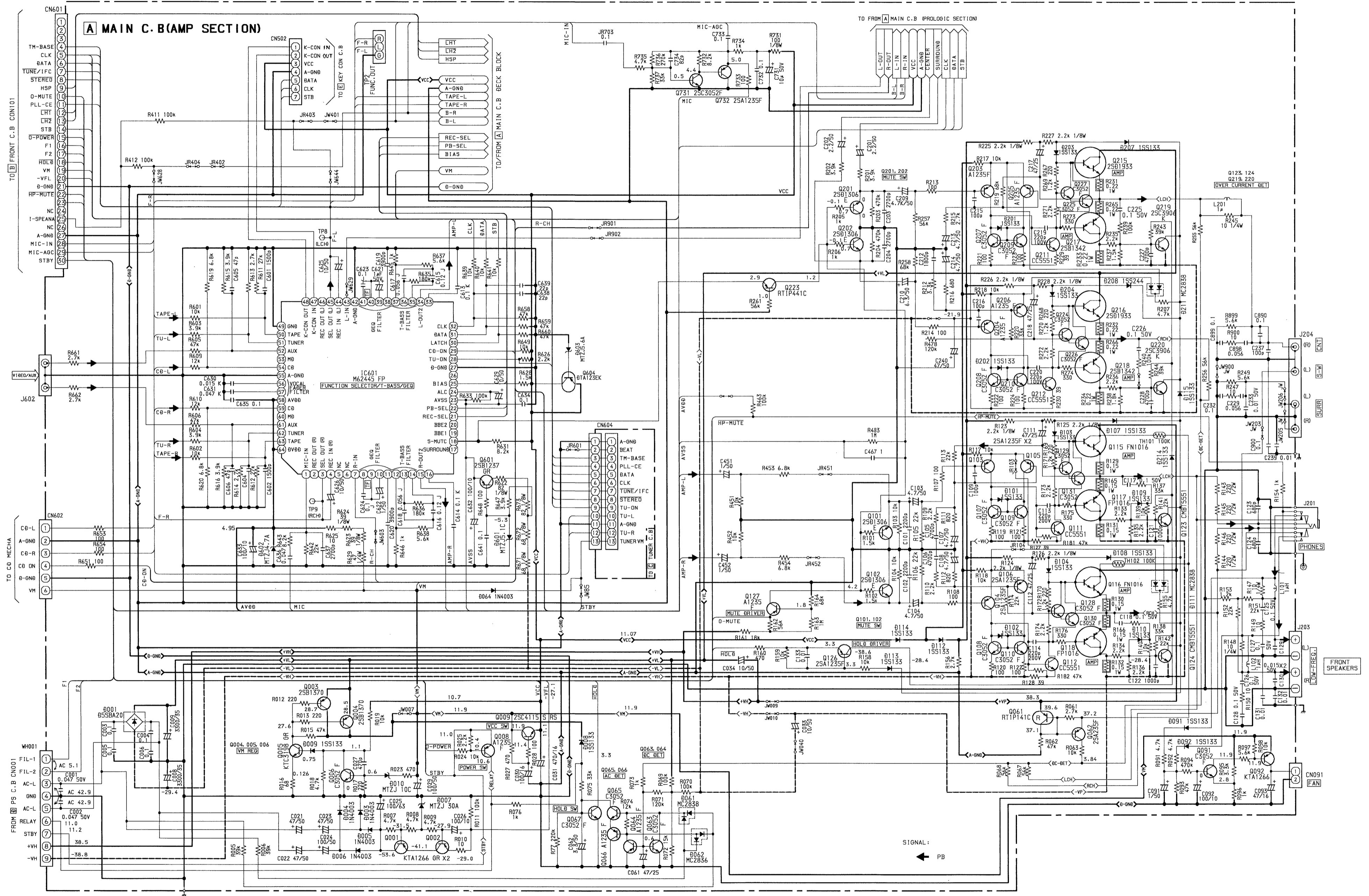


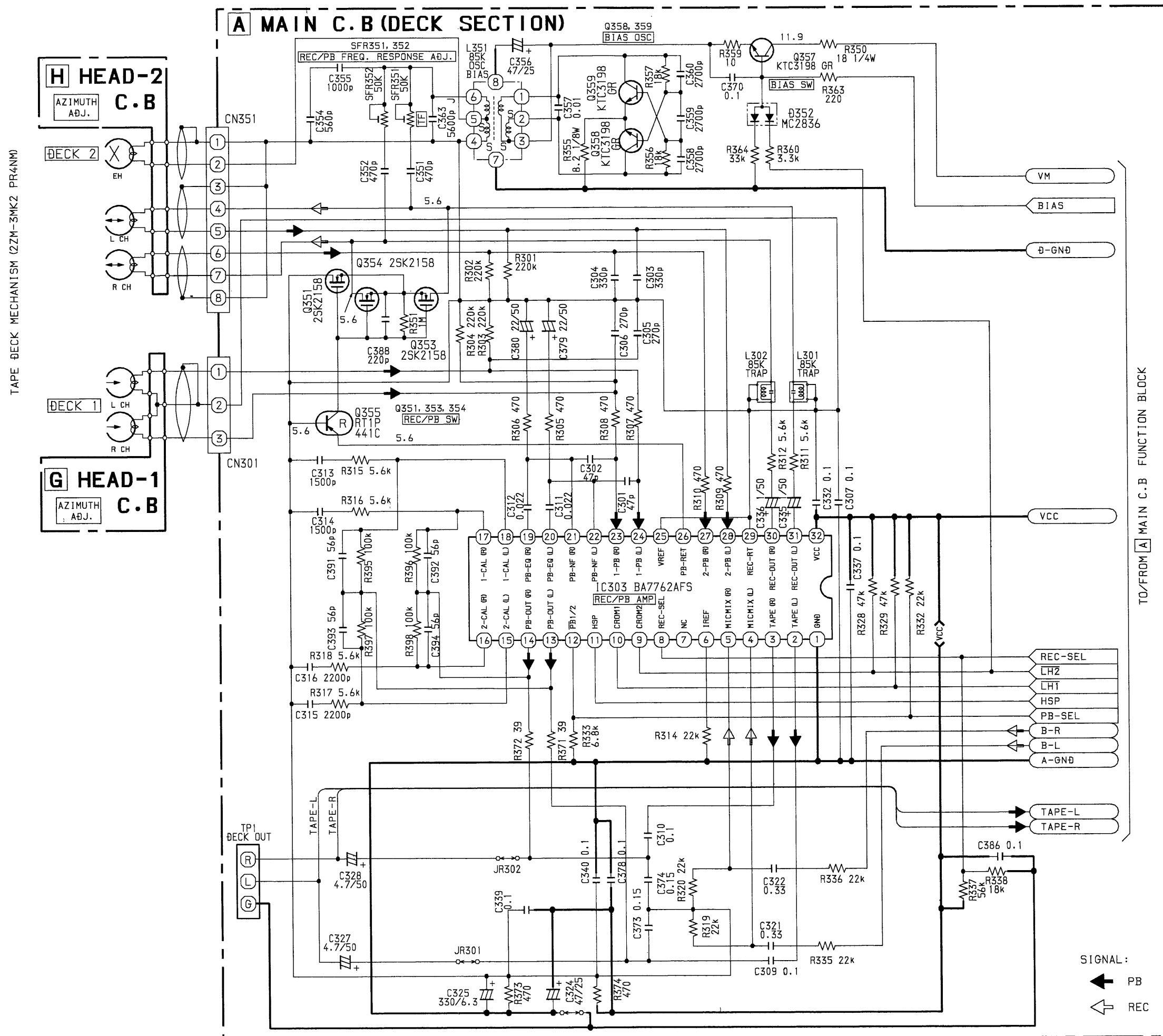


BLOCK DIAGRAM - 2 (MAIN)

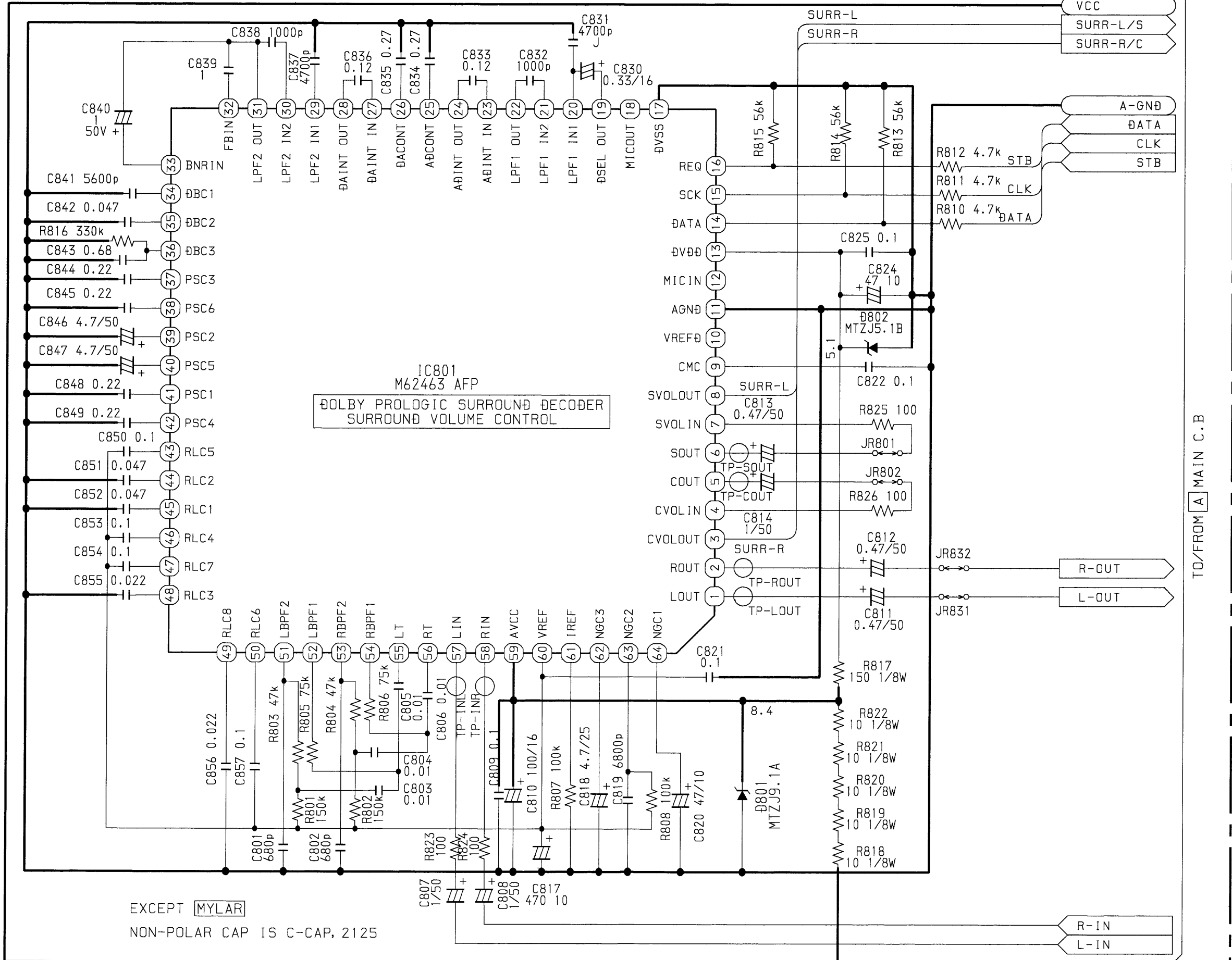




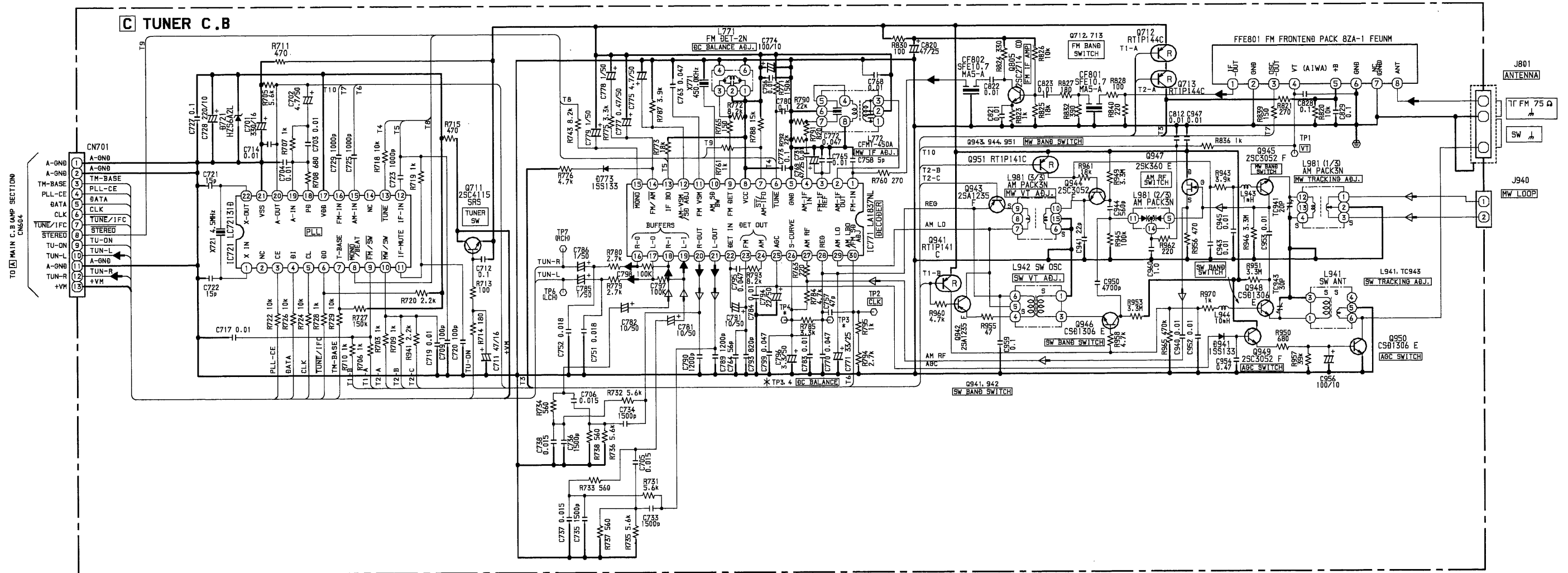




**A MAIN C.B (PROLOGIC SECTION)**



SCHEMATIC DIAGRAM - 5 (TUNER)



SIGNAL :  
 ◀ : FM  
 ▲ : MW/SW

**SCHEMATIC DIAGRAM – 6 (PS)**

